

MECHLIFT 150 Bin Lifter



WHY THE MECHLIFT ML150 LIFTER?

Everyone knows the many advantages of using the European style 240 litre bins, but what equipment is needed to empty this bin?

For areas where there is still a high proportion of hand-loaded plastic bags, your vehicle needs to be equipped to efficiently handle both bags and bins with complete versatility.

The **ML150** has proven itself to be the most popular "low-level" lifter, which is also capable of handling the high demands of areas which have converted to the 240 litre bin system.

The **ML150**, with its patented rotary lift action, which is not only more efficient but also uses much less power from the vehicle's engine, can achieve a cycle time of 7 to 8 seconds with bins weighing up to 180kg.

► **COMPACT** - Bags are easily thrown over the top of the **ML150**, as it is practically level with the hopper's sill edge. The ground clearance under the lifter is much greater than on other comparable lifters, which result's in much less accidental damage.

► **EASILY REMOVABLE AND TRANSFERABLE** - The **ML150** is the only lifter, which can be removed or transferred in under two minutes without the use of any tools!

► **EFFICIENT** - A single rotary actuator drives each lifter, this provides a smooth bin emptying cycle. Stubborn refuse is normally ejected on the first attempt due to the tipping angle of 45°.

► **LOCAL PRODUCT** - The **ML150** is locally designed, manufactured and maintained for South Africa's unique conditions.



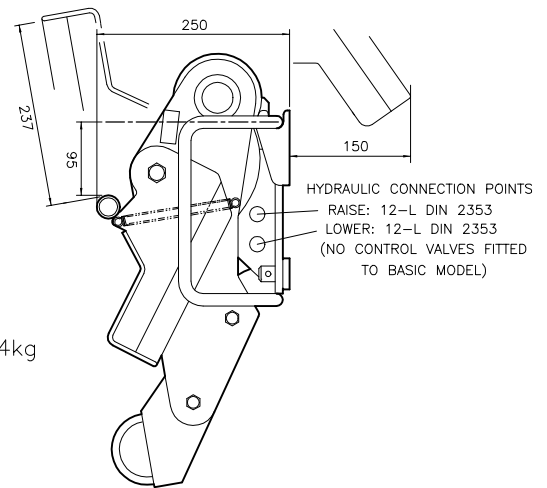
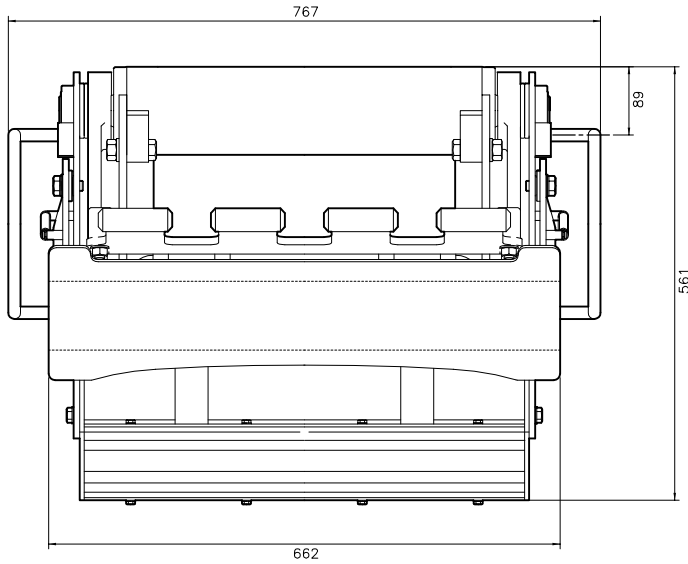
FOR MORE COMPREHENSIVE INFORMATION, CONTACT:

MECHLIFT (Pty) Ltd, P.O. Box 141, Woodstock, Cape Town, 7915, South Africa
Telephone: +27 21 448 8872, Telefax: +27 21 448 8874
Website: www.mechlift.com, E-mail: info@mechlift.com



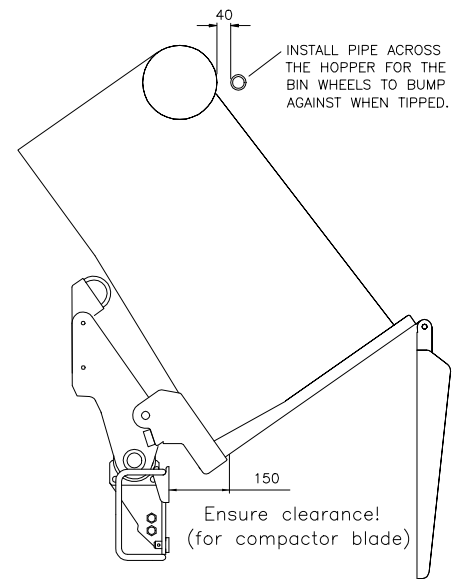
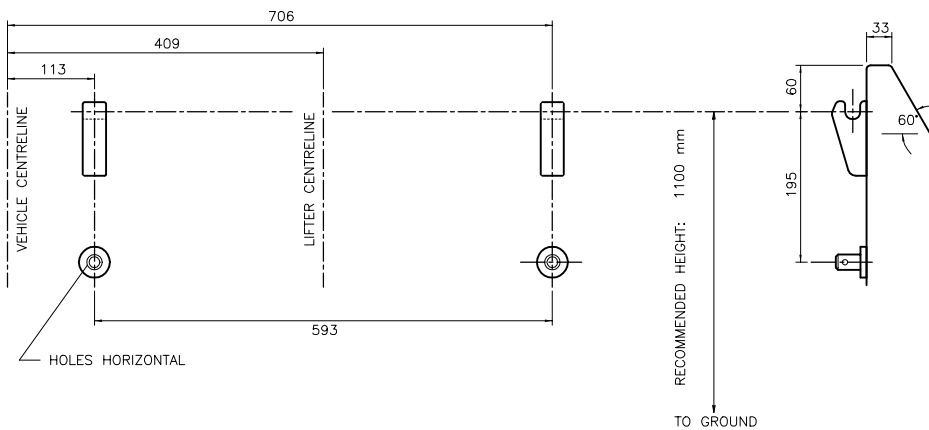
DIMENSIONS:

MECHLIFT 150



MASS: 84kg

INSTALLATION DIMENSIONS:



SPECIFICATIONS:

BIN TYPE:	1 X 240 litre per lifter
CYCLE TIME:	6 – 7 seconds
TIPPING ANGLE:	45 degrees
LIFTING CAPACITY:	1.7 kg per 1 bar pressure. (typical bin mass is 100 – 150 kg)
HYDRAULIC PRESSURE:	60 – 90 bar (for 100 – 150 kg) 150 bar maximum allowed
HYDRAULIC FLOW:	9 l/min (for 7 second cycle time) More than 11 l/min will damage the bins and/or the lifter.

OPTIONS:

Hydraulic installation kits to suit your vehicle's existing systems.
 Additional hooks and studs for welding onto other vehicles.
 Adapted for other styles of bin if required.

PATENTS:

SA Patent application 94/2290 pending. Other international applications also intended.

FEATURES:

- In comparison to other known "low-level" lifters, the Mechlift 150 is unique in that:
- it has 200 mm more ground clearance in its lowest position which allows the vehicle to be conveniently driven to the next pick-up point without first raising the empty lifter.
 - the "flip-down" bin edge clamp gives the least obstructed hopper edge while hand loading loose plastic bags. There are also no protruding parts which may snag bags and cause spillages.
 - the fact that the lifter is quickly and easily removable or transferable allows for the widest utilisation of your vehicles.