

# MECHLIFT 220 Bin Lifter



The new generation of two-wheeled plastic bins will only realize their full potential when handled by a bin lifter, which can empty over 1200 bins per 8-hour shift. The **ML220** easily does this.

Such high performance can only be achieved by a "high-level" lifter where the tipped bin is above the compactor blade, allowing simultaneous bin emptying and compaction. The **ML220** provides this.

The **ML220** is a "high-level" lifter, which has proved itself to achieve the highest productivity with the least stress, noise, mass, and maintenance, at the most affordable price. Running cost are negligible, as all bearings are maintenance free and no flexible hoses or hydraulic cylinders, with exposed rods are used. Accident repair costs are also minimal due to the simplicity of the design. As do all Mechlift lifters, the **ML220**, makes use of mostly standard parts in their construction. This means that you will readily find most of the bearings, for example, are available from your regular bearing suppliers. The **ML220** is locally designed, manufactured and maintained for South Africa's unique conditions.

The **ML220** has single rotary actuators, which drive each sub-assembly of the lifter so as to provide a smooth bin emptying cycle. Stubborn refuse is normally ejected on the first attempt due to the high tipping angle. This patented rotary lift action is more efficient and uses much less power from the vehicle's engine. Therefore achieving cycle times of 7 to 8 seconds with bins weighing up to 150kg. This model is readily interchangeable with other European "high-level" lifters as it complies with the DIN interface standard. Due to the lower mass of the **ML220**, it is often the only "high-level" lifter, which can be fitted to single rear axle vehicles. Despite the lower mass, this model is extremely sturdy and rigid due to the clean box-section design and widely spaced bearing points.



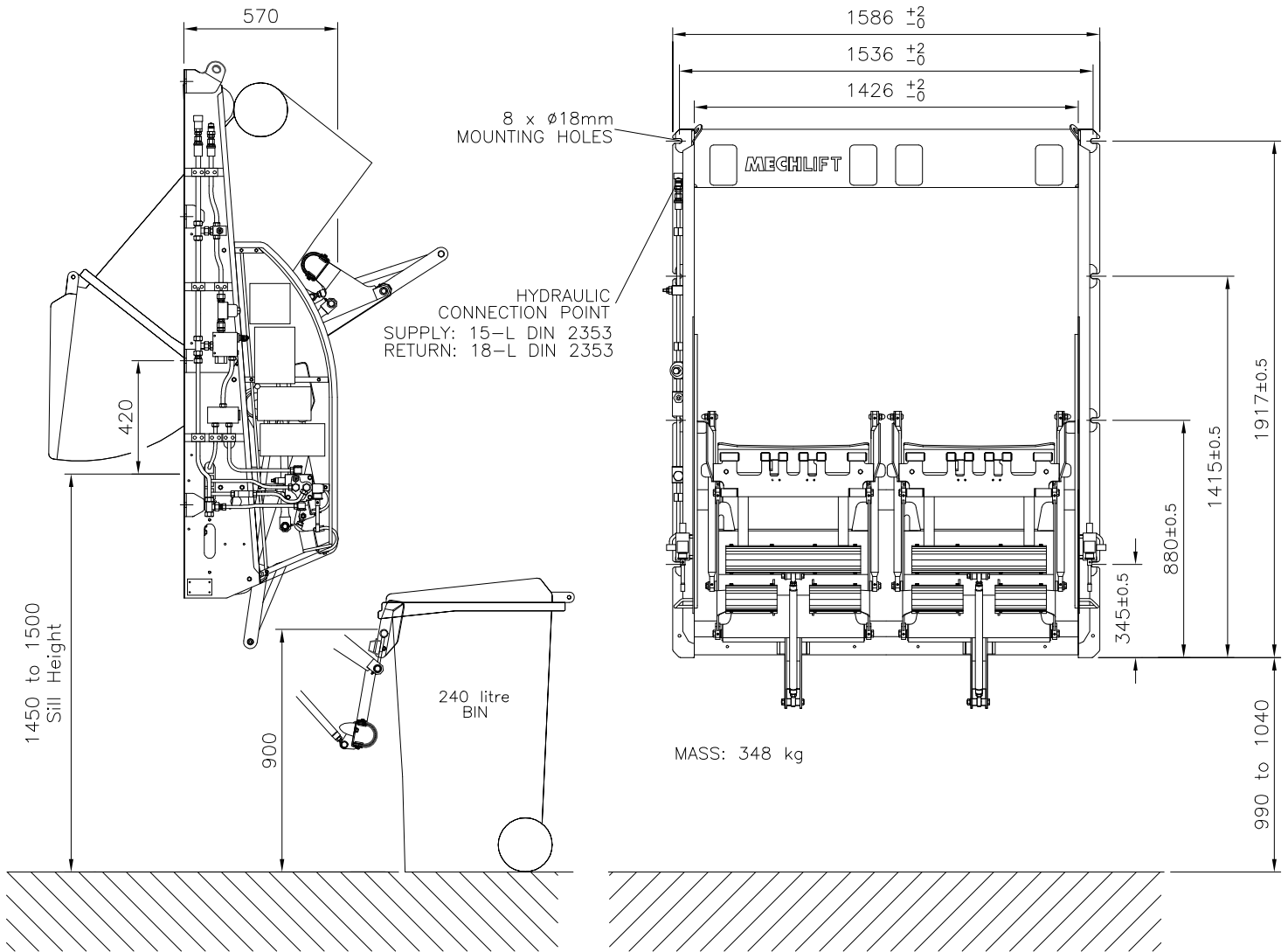
FOR MORE COMPREHENSIVE INFORMATION, CONTACT:

MECHLIFT (Pty) Ltd, P.O. Box 141, Woodstock, Cape Town, 7915, Rep. of South Africa  
Telephone: +27 21 448 8872, Telefax: +27 21 448 8874  
Website: [www.mechlift.com](http://www.mechlift.com), E-mail: [info@mechlift.com](mailto:info@mechlift.com)



## DIMENSIONS:

# MECHLIFT 220



## SPECIFICATIONS:

BIN TYPE:	2 X 240 litre per lifter
CYCLE TIME:	7 – 8 seconds
TIPPING ANGLE:	55 degrees
LIFTING CAPACITY:	2 X 150 Kg (adjustable limit) (exceeds bin rating by 50%)
HYDRAULIC PRESSURE:	130 bar (relief valve set at 150 bar)
HYDRAULIC FLOW:	18 litre/min for 8 sec. cycle time
NOISE LEVEL:	< 72 dBA

## OPTIONS:

1. Electronic monitoring and counting of the lifts, etc.
2. Dual controls fitted to left hand side of the lifter.

## FEATURES:

The Model 220 has maintenance-free bearings, no flexible hoses (all zinc-plated steel pipes), no exposed cylinder rods which could be damaged or ingest dirt.

Damage in the event of accidents are inexpensive to repair because of this models very simple design, which also makes it easy to be maintained.