

MECHLIFT ML450 Bin Lifter



WHY THE MECHLIFT ML450 LIFTER?

Everyone knows the many advantages of using the European style **240 liter** bins, but some are now also using the larger 4-wheel bins of **660 and 770 liter** capacity.

When these mixed sizes of bins are used together with a high proportion of **hand-loaded bags and loose refuse**, then a **low-level lifter with a wide comb** is needed.

The **ML450** is based on our ever-popular ML150 lifter. The uniquely smooth motion and gentle clamping action, patented and proven with the ML150 over the last 12 years, has been incorporated into the **ML450**.

The **ML450** has a rugged construction requiring a minimum of maintenance. Despite placing a low demand on the vehicle's hydraulics, it can lift up to 400kg in a cycle time of 8 sec.



- ▶ **COMPACT** – Despite being a low-level lifter, the **ML450** has a far greater ground clearance than other lifters in this class. The installed lifter typically does not reduce the ground clearance of the vehicle, giving an enormous advantage when reversing the vehicle at a dump site.
- ▶ **HEIGHT ADJUSTABLE** - The **ML450** is the only lifter where the operators pre-select the height either for the lower 2-wheel bins, or the taller 4-wheel bins. In the low position, it is very easy to hand-load bags and loose refuse over the lifter.
- ▶ **EFFICIENT** - A single rotary actuator drives the wide lifter, this provides a smooth bin emptying cycle. Stubborn refuse is normally ejected on the first attempt due to the tipping angle of 45°.
- ▶ **LOCAL PRODUCT** - The **ML450** is locally designed, manufactured and maintained for South Africa's tough conditions.



FOR MORE COMPREHENSIVE INFORMATION, CONTACT:

MECHLIFT (Pty) Ltd, P.O. Box 141, Woodstock, Cape Town, 7915, South Africa
Telephone: +27 21 448 8872, Telefax: +27 21 448 8874
Website: www.mechlift.com, E-mail: info@mechlift.com

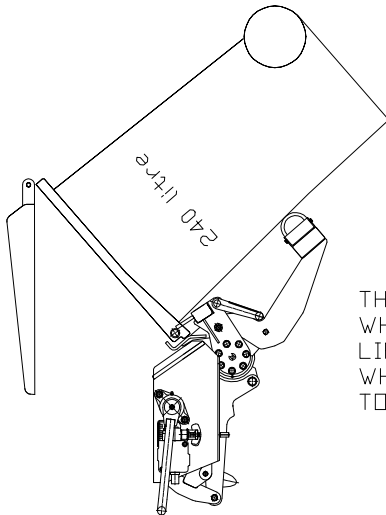
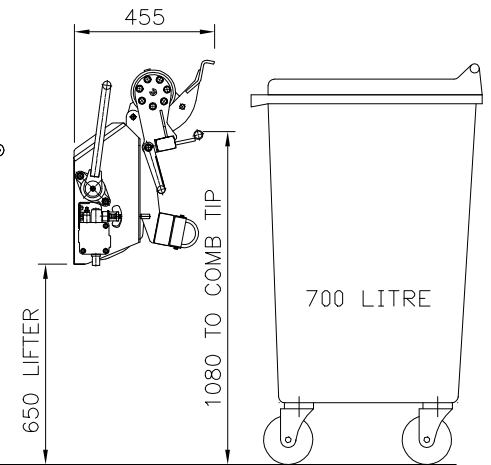
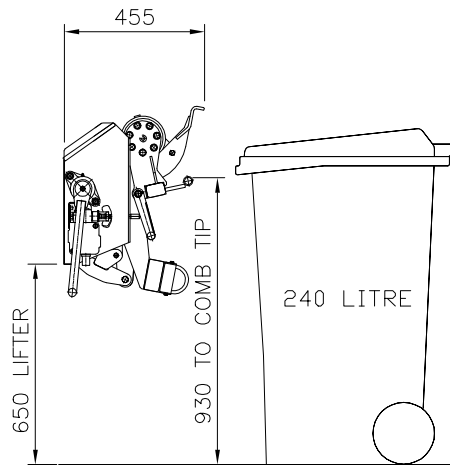
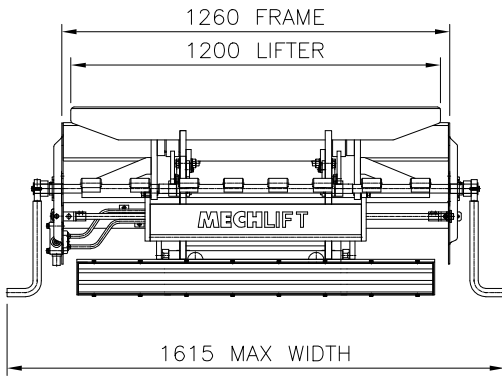


DIMENSIONS:

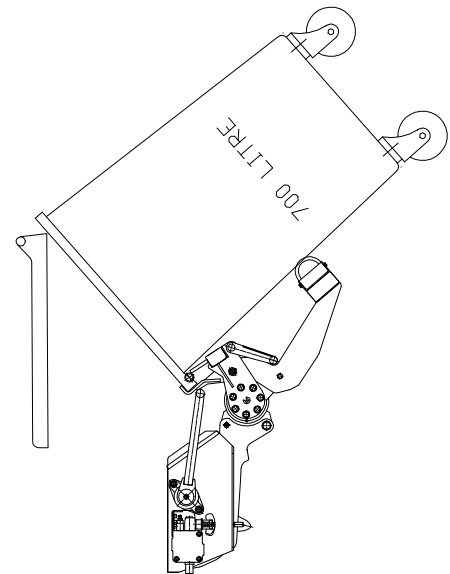
MECHLIFT 450

IN LOWERED POSITION

IN RAISED POSITION



THE ML450 IS HEIGHT ADJUSTABLE, WHICH MEANS IT IS POSSIBLE TO LIFT THE COMMON 240 LITRE WHEELIE BINS AND THE TALLER 600 TO 700 LITRE FOUR WHEELED BINS



FOR INSTALLATION AND MORE COMPREHENSIVE DETAILS, PLEASE VISIT WWW.MECHLIFT.COM

SPECIFICATIONS:

LIFTER TYPE:	Low Level (Height adjustable)
BIN TYPE:	2 x 240 litre 1 x 660 or 770 litre
CYCLE TIME:	7 – 8 seconds
TIPPING ANGLE:	45 degrees
LIFTING CAPACITY:	400 Kg
HYDRAULIC PRESSURE:	180 bar
HYDRAULIC FLOW:	18 litre/min
NOISE LEVEL:	< 72 dBA
SHIPPING DIMENSIONS:	1615 x 615 x 455mm
LIFTER MASS:	220 Kgs

FEATURES:

1. Multipurpose, one of the few lifters which can easily handle 240 litre bins and 660 or 770 litre bins
2. Low Level Lifter, bags and hand managed refuse can easily be loaded
3. Proven actuator kinematics, uses the same principle as all Mechlift lifters, which have proven to be the best and most reliable lifters available over the past ten years.
4. Weight – this is kept to the minimum through a simple yet robust design, thus resulting in bigger pay loads
5. Single operator, but can still be operated from LHS or RHS

OTHER:

The ML 450 has been designed to handle the tough local conditions and stand up to abuse. Due to the limited number of moving parts, maintenance is kept to a minimum and a longer life expectancy can be achieved.

No exposed cylinder rods to be damaged or ingest dirt.